

18GHz Non-terminated Microwave Switching



DC to 18GHz

The First Modular VXI Microwave Switch on the Market

Up to 6 (1x6) in Only One C-size Slot

Building Blocks Range from Dual SPDT Relays to SP6T Relays, Transfer Switches and Relay Drivers

Microwave Building Blocks are "Pluggable" from the Front of the VXIbus Card

18GHz Building Blocks Priced to Satisfy Lower Frequency Cellular Switching Markets

Step 1: Start with the SM7000 base unit. It holds up to six microwave building blocks in one C-size slot.

Step 2: Select up to six microwave building blocks

Step 3: Contact VXI Technology for price and delivery

Overview

The SM7000 is part of the SMIP//™ family, offering the extensive control and interfacing features provided by SMIP//™. Microwave relay technology has been pioneered to offer density, modularity and cost benefits not available from other VXI suppliers.

Using the SMIP//™ family for microwave switching, the user obtains the following benefits over other VXI microwave switch solutions:

Density: Up to 6 (1x6) microwave relays can be housed in a single VXIbus slot (SM7000).

Modularity: Each SM7000 switch module can house up to 6 building blocks, which can be mixed and matched for the final configuration.

Cost: The SM7000 has been priced to help reduce the cost of microwave switching by at least 20% from existing solutions.

The following building blocks have been selected to allow the majority of microwave switch applications to be accommodated within 1 VXIbus card slot. Each building block is also "pluggable" from the front allowing for easy configurations and repair.

In addition to our own relays, we offer a base unit (SM7000N) that supports miniature microwave relays from Narda that allows 1x4s and 1x6s to be housed in the same assembly. This alternative single-slot unit allows us to maintain the same software command set on both the SM7000 and SM7000N, while having two sources of relays to better manage customer delivery requirements.

Specifications

Maximum Power per Channel: 20W @ 18 GHz

Switching Time: <15mS

RF Impedance: 50Ω

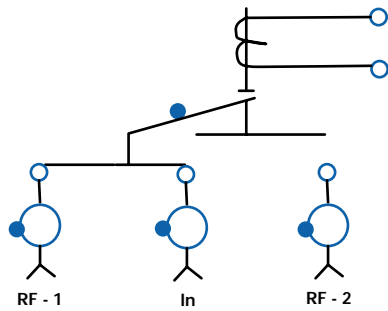
Frequency (GHz)	DC-3	3-8	8-12.4	12.4-18
Isolation (dB min)	80	70	60	60
Insertion Loss (dB max)	0.2	0.3	0.4	0.5
VSWR min	1.2:1	1.3:1	1.4:1	1.5:1

Connectors: SMA

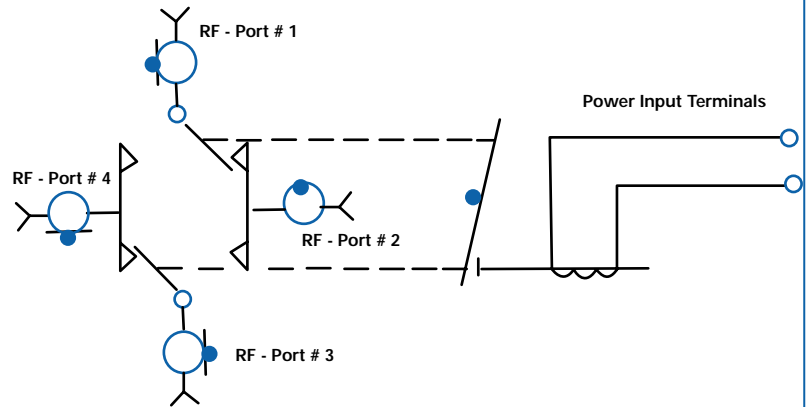
SM7000

18GHz Non-terminated Microwave Switching

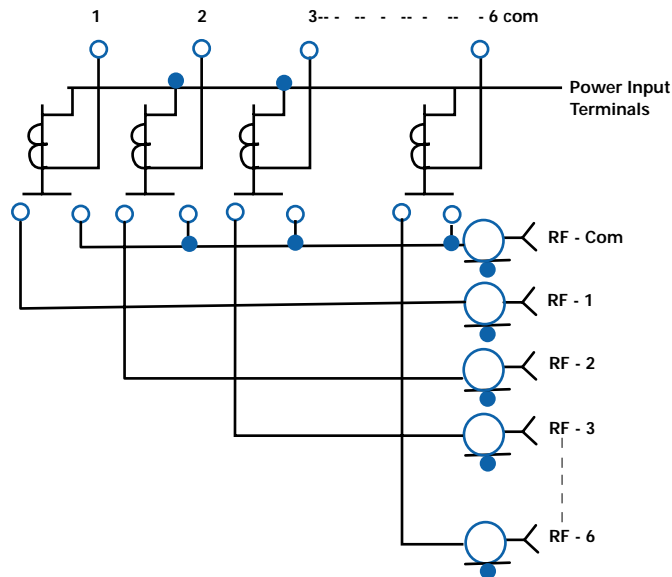
SPDT



TRANSFER SWITCH



MULTI-POSITION



Ordering Information

SM7000 Single-slot Base Unit
 7270 2 (SPDT) 18GHz relays
 7272 SP4T 18GHz relay
 7274 SP6T 18GHz relay
 7275 18GHz transfer switch
 7276 6 relay driver lines

SM7000N Single-slot Base Unit for Narda Relays
 7272N SP4T Narda Relays
 7274N SP6T Narda Relays